

BOWENS

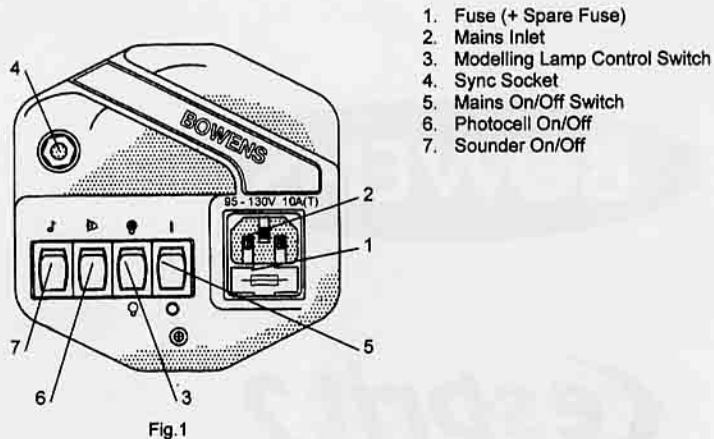
Esprit 2

Esprit 2 1500 117V Instructions (BW-2088) BWL-0295/1

BOWENS INTERNATIONAL LIMITED
355 Old Road
Clacton-on-Sea Essex CO15 3RH
Tel: +44(0) 1255 422807
Fax: +44(0) 1255 436342

ESPRIT 2 1500 117V
(BW-2088)

OPERATING INSTRUCTIONS



1. Fuse (+ Spare Fuse)
2. Mains Inlet
3. Modelling Lamp Control Switch
4. Sync Socket
5. Mains On/Off Switch
6. Photocell On/Off
7. Sounder On/Off

Fig.1

- | | |
|---|--|
| <ol style="list-style-type: none"> 1. Latch Knob 2. Photocell Cover 3. 'Ready' Indicator 4. Flash Power Control 5. Test/Open Flash | <ol style="list-style-type: none"> 6. Modelling Power Control 7. Flash Power Selector Switch
500Ws, 1000Ws, 1500Ws 8. Digital Power Display |
|---|--|

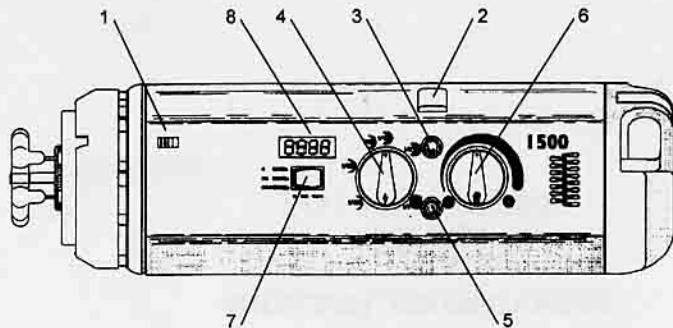


Fig.2

1. General

Welcome to the world-wide family of Bowens flash equipment users, and congratulations on selecting the Esprit 2 1500. The Esprit 2 1500 includes a unique combination of features not found on other monoblocs.

2. Features

- Power selection system, with easy to use selector switch and digital display allowing 1,2 and 3 capacitor banks to be combined to deliver maximum power outputs of 500,1000 and 1500Ws.
- Auto power dump giving access to lower power selections without the need to manually dump a higher flash power first. The digital power display provides an indication of the state of power dump by blinking.
- Audible flash 'Ready' confirmation.
- 275W Photoflood or 250W Halostar modeling lamp.
- Built-in fan cooling system.
- UV coated flash tube.

3. Safety Notes

- The Esprit 2 1500 must not be used in an environment where moisture or flammable vapour is likely to come in contact with the unit.
- A fire hazard exists if flammable materials are placed in close proximity to either the flashtube or modelling bulb when the unit is in use.
- The charging and modelling circuitry of the Esprit 2 1500 is protected by a 10A (T) 20mm fuse mounted on the rear panel (Fig.1. 1). Disconnect the supply before changing the fuse. **Never** replace with a fuse of a different rating. A spare 10A (T) fuse is fitted in the fuse holder.
- Switch off and disconnect supply before changing fuse, modelling bulb or flashtube.
- Do not restrict slots in case when in use.
- Care must be exercised when handling equipment that has been in use. The reflector and front end of the unit can become **Very Hot**.
- Due to the high voltage / high energy used in Esprit 2 1500, all servicing must be carried out by an authorised Service Centre.

4. Contents Of Carton

- Esprit 2 1500 117V with flashtube
- Sync. Cord
- Instructions

5. Power Supply Connections

- 95-130V AC 50/60Hz Use the mains lead supplied to connect to the mains supply.

6. Operation

- The green illuminated On/Off Switch (Fig.1.5) on the rear panel controls the power to both the flash and the modelling lamp. Setting the switch to 1 turns the unit 'ON', with the switch illuminated, and 0 turns the unit to 'OFF'.
- When the unit has charged to the power level set by the Flash Power Control (Fig.2.4) the green 'Ready' Indicator (Fig.2.3) will light. Your Esprit 2 1500 is now ready to fire.

7. Synchronisation

- There are several ways to trigger the Esprit 2 1500.
- Open Flash: (Fig.2. 5)
For testing or multiple flash applications the Open Flash Pushbutton can be used.
- Sync Socket: (Fig.1. 4)
The standard quarter inch jack type socket on the rear panel of the unit may be used for direct connection to a camera set to 'x' synchronisation. Two Esprit 2 flash units may be connected together using a 'y' connector. An Infra Red Receiver or Omnicell may also be plugged into this socket.
- Photocell: (Fig.2. 2)
The Esprit 2 1500 has a built in switchable photocell enabling the unit to be triggered by the flash from any other flash unit or a small camera mounted flash gun. The photocell is mounted behind the red transparent cover on the top of the Unit.

8. Flash Power Selection

- The flash power selector switch (Fig.2.7) sets the maximum flash power available. The power selected, 500,1000 or 1500Ws, is shown on the Digital Power Display (Fig.2.8) and represents a coarse control range of $\approx 1\frac{1}{2}$ f-stops.
- The flash power control (Fig.2.4) provides a continuous adjustment within the range selected, over a five f-stop range from full to one thirty-second (1/32) power.
- Rotating the control (Fig.2. 4) from full to half, half to quarter, quarter to eighth, eighth to sixteenth, sixteenth to thirty-second gives a reduction in output equivalent to 1 f stop for each step.
- The total control range using the Flash Power Control and Flash Power Selector Switch is 6 1/2 f-stops.
- The full stored energy of 1500-Watt Seconds (joules) gives a guide number of 525 (feet) or 160 (metres) using a 50° Keylite reflector and 100 ISO film. Half, quarter, eighth, sixteenth, and thirty-second power settings are marked on the panel by moon phases, and figures.
- The auto-dump feature enables lower flash powers to be selected without requiring the unit to be flashed first to dump the higher power. The digital display blinks during the power dump to provide an indication of the status.

9. Fitting the Modelling Lamp

- Switch off the unit and disconnect from the supply. Screw the modelling lamp into the ES lampholder in the centre of the reflector.
- **Note:** It is recommended that a Photoflood or Halostar bulb with a maximum wattage of 275W is used on the Esprit 2 1500 unit. The manufacturer will not accept liability for the use of any lamp with a rating exceeding 275W.

10. Modelling Lamp Control

- With the modelling lamp control switch (Fig.1. 3) in the central position the modelling light is OFF.
- With the modelling light set to 'Intermittent' the modelling light will go out when the unit is flashed and come back on when the unit comes to ready. This enables the photographer to see from the camera position that all Esprit 2 units in use have fired.
- With the switch set to 'Continuous' the modelling lamp stays on all the time.
- The modelling light may be varied in ratio with the flash power output by aligning the modelling Knob (Fig.2.6) with that of the flash control (Fig.2.4).

11. Audible 'Ready' Confirmation

- Set the Sounder Switch (Fig.1.7) to 'ON' to give a short beep when the unit comes to ready, to provide an audible 'Ready' confirmation.

12. Fuse (Fig.1. 1)

- The modelling and flash circuitry is protected by a single 10 amp (T) 20mm fuse mounted on the rear panel. Never replace the fuse with one of a different rating. As the fuse may blow when the modelling lamp fails always check the fuse when replacing the bulb, a spare fuse is supplied in the fuse holder. Always switch OFF the Esprit 2 unit before changing the bulb or fuse.

13. Fitting / Removing A Reflector

- A range of reflectors is available for the Esprit 2 1500 unit. To fit, slide the neck of the reflector over the front of the unit. Align the three pegs on the reflector with the three slots in the retaining ring. Press down and turn clockwise to lock.
- To remove reflector, push Latch Knob (Fig.2. 1) towards the rear of the unit, turn the reflector fully anti-clockwise and withdraw.
- If an umbrella is to be used a 'Wide Angle Reflector' should be fitted and the umbrella fitted through the mounting hole in the mounting bracket on the Wide Angle Reflector and locked in position with the knurled screw.
- **Note:** Take care when fitting / removing reflectors not to damage the flashtube assembly. The flashtube is very delicate, avoid unnecessary handling of the glass tube. Always switch off and disconnect from mains supply before fitting / changing the flashtube assembly.

14. Stand / Support Mounting

- Mount the Esprit 2 1500 unit on selected support system. The mounting bush on the 'L' bracket allows for two possible ways of mounting to the stand / support (Fig.3). Method A should be used under normal operation.

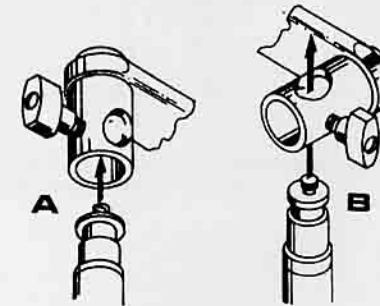


Fig.3

Warning High Voltage

Do not touch the flashtube assembly for thirty minutes after disconnecting from supply.

15. Replacement Of Flashtube

- Ensure that the unit is switched off and disconnected from the mains supply and then wait thirty minutes before touching / removing flashtube. Unwind the twisted Trigger wire from the trigger terminal tag, and gently pull the flash tube assembly out of the unit.
- Holding the replacement assembly as shown in Fig.4 and locate the three brass sockets onto the plugs in the front of the unit. Press down evenly until all the plugs and sockets are fully engaged. Pass the trigger wire through the hole in the trigger terminal tag and wind around the tag, ensuring that the trigger wire does not touch the metal top hat.
- Discard the old flash tube safely using the packaging from the new tube.
- Always replace with the correct flashtube assembly, BW-1079.

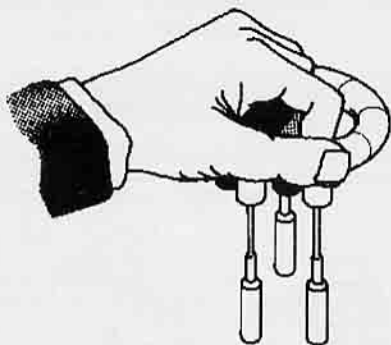


Fig.4

Unit Specification

Unit	Esprit 2 1500	
Stored Energy (Max)	1500Ws	
Total Flash Power Range	15 to 1500Ws	
Charge Time (Full Power 117V 60Hz)	3.9 secs (1500Ws)	
	2.8 secs (1000Ws)	
	1.5 secs (500Ws)	
Supply Voltage AC	95-130 VAC 50/60Hz	
Voltage Stabilisation	+/- 1%	
Modelling Lamp	Max 275W	
Ready Indication	100%	
Fuse	10A (T)	
Sync Volts	15V	
Photocell	On/Off	
Sounder	On/Off	
Modelling Power Control	Int/Off/Cont (Independent & Fully variable)	
Guide Number – Full Power 50° Keylite, ISO 100	525 (feet) 160 (metres)	
Flash Duration (Full Power) T=0.5	1/1100 (1500Ws)	
	1/1500 (1000Ws)	
	1/2200 (500Ws)	
Flash Colour Temperature	Apx. 5600K UV coated as std.	
Flash Power Control	Full to 1/32, 5 F stops fully variable 1 1/2 with Power Switch	
Recommended Modelling Lamp	250W 120V Halostar	
	275W 120V Photoflood	
Flash Tube Assembly	UV Coated (Standard)	BW-1079
	Clear (Optional)	BW-2980
Dimensions	L=490mm	
	W=145mm	
	H=145mm	
Weight	5.0Kg	

Due to our policy of constant product improvement Bowens International reserve the right to change equipment specifications without notice.